

After the power is turned on, the sensor input characters and temperature unit are indicated in the PV Display, and the input range high limit value is indicated in the SV Display for approximately 3 seconds. See (Table 5-1).

(If any other value is set in [Scaling high limit], the value is indicated in the SV Display)

During this time, all outputs and the LED indicators are in OFF status.

Limit control will then start, indicating the PV (process variable) in the PV Display, and SV (desired value) in the SV Display.

(Table 5-1)

Sensor input	°C		°F	
	PV Display	SV Display	PV Display	SV Display
K	600C	1370	600F	2500
	60.C	4000	60.F	7500
J	J00C	1000	J00F	1800
R	r00C	1760	r00F	3200
S	400C	1760	400F	3200
B	b00C	1820	b00F	3300
E	E00C	800	E00F	1500
T	T00C	4000	T00F	7500
N	n00C	1300	n00F	2300
PL-II	PL2C	1390	PL2F	2500
C (W/Re5-26)	c00C	2315	c00F	4200
Pt100	Pt.C	8500	Pt.F	9999
JPt100	Pt0C	850	Pt0F	1500
	JPt.C	5000	JPt.F	9000
	JPt.C	500	JPt.F	900
4 to 20 mA DC	420A	Scaling high limit value		
0 to 20 mA DC	020A			
0 to 1 V DC	001B			
0 to 5 V DC	005B			
1 to 5 V DC	105B			
0 to 10 V DC	010B			

5.2 Display mode

Selects an item to be indicated in the PV and SV Displays.

Every time the \odot key is pressed in the PV/SV Display Mode, the following indications are switched. When power is turned ON, the PV Display indicates PV, and the SV Display indicates SV.

Display	Name, Function, Setting range
\overline{E} , EXC duration time	<p>\overline{E}, EXCEEDED indicator lighting duration time</p> <p>The PV Display indicates \overline{E}, and the SV Display indicates “EXCEEDED indicator lighting duration time”.</p> <ul style="list-style-type: none"> • Measurement range: 0.00 to 99.59 (The time unit can be selected in [EXCEEDED indicator lighting duration time unit] in Setup mode.) • Reverts to the default value (0.00 Hour.Minute/Minute.Second) if the RST key is pressed or the External reset input terminals 17 and 18 are shorted.
$H\ \square\square$ ($L\ \square\square$), Max (Min) value	<p>$H\ \square\square$ ($L\ \square\square$), Maximum (Minimum) value indication</p> <ul style="list-style-type: none"> • While the EXCEEDED indicator lights, the PV Display indicates $H\ \square\square$ or $L\ \square\square$, and the SV Display indicates the maximum or minimum value. • If High limit control action (or Low limit control action) is selected in [High/Low limit control] in Setup mode, the maximum value (or minimum value) is indicated. • Reverts to the current PV (input value) if the RST key is pressed or the External reset input terminals 17 and 18 are shorted.

5.3 Main setting mode

Sets SV, A1 and A2 value.

To enter Main setting mode, press the \wedge and \odot keys (in that order) together in PV/SV Display Mode. Use the \wedge or \vee key for settings (or selections).

To register the set data, use the \odot key.

Character	Name, Function, Setting range	Default value
$S\ \square\square$	<p>SV</p> <ul style="list-style-type: none"> • Sets SV (desired value). • Setting range: Scaling low limit to Scaling high limit 	0°C
$A1\ \square$	<p>A1 value</p> <ul style="list-style-type: none"> • Sets the action point of A1 output. • Not available if No alarm is selected in [A1 type]. • Setting range: Refer to (Table 5.3-1). 	0°C
$A2\ \square$	<p>A2 value</p> <ul style="list-style-type: none"> • Sets the action point of A2 output. • Not available if No alarm is selected in [A2 type]. • Setting range: Refer to (Table 5.3-1). 	0°C

(Table 5.3-1)

Alarm type	Setting range
High limit alarm	– (Input span) to input span°C(°F) *1
Low limit alarm	– (Input span) to input span°C(°F) *1
High/Low limits alarm	0 to input span°C(°F) *1
High/Low limit range alarm	0 to input span°C(°F) *1
Process high alarm	Input range low limit value to input range high limit value *2
Process low alarm	Input range low limit value to input range high limit value *2
High limit alarm with standby	– (Input span) to input span°C(°F) *1
Low limit alarm with standby	– (Input span) to input span°C(°F) *1
High/Low limits alarm with standby	0 to input span°C(°F) *1

• When input has a decimal point, the negative low limit value is –199.9, and the positive high limit value is 999.9.

• All alarm actions except process alarm are \pm deviation setting from the SV (desired value).

*1: For DC input, the input span is the same as the scaling span.

*2: For DC input, input range low (or high) limit value is the same as scaling low (or high) limit value.

5.4 Sub setting mode

Sets Set value lock, Sensor correction, Communication parameters (when C5 option is ordered), etc. To enter Sub setting mode, press the \checkmark and \odot keys (in that order) together for 3 seconds in PV/SV Display Mode.

Use the \wedge or \vee key for settings (or selections).

To register the set data, use the \odot key.

Character	Name, Function, Setting range	Default value
<i>L o c k</i>	Set value lock <ul style="list-style-type: none"> Locks the set values to prevent setting errors. The setting item to be locked depends on the selection. Selection range: <ul style="list-style-type: none"> ---- (Unlock): All set values can be changed. <i>L o c 1</i> (Lock 1): None of the set values can be changed. <i>L o c 2</i> (Lock 2): Only SV (desired value) can be changed. <i>L o c 3</i> (Lock 3): All set values can be changed. <p>However, do not change any setting item in Setup mode. Changed values revert to their previous value after power is turned off because they are not saved in the non-volatile memory.</p>	Unlock
<i>4 0</i> \square	Sensor correction <ul style="list-style-type: none"> Sets the correction value for the sensor. PV= Current actual temperature + Sensor correction value Setting range: -100.0 to 100.0°C (°F), or -1000 to 1000 	0.0°C
<i>c n 4 L</i>	Communication protocol <ul style="list-style-type: none"> Selects the communication protocol. Available only when the C5 option is applied. Selection range: <ul style="list-style-type: none"> <i>n o n L</i>: Shinko protocol <i>n o d A</i>: Modbus ASCII mode <i>n o d R</i>: Modbus RTU mode 	Shinko protocol
<i>c n n o</i>	Instrument number <ul style="list-style-type: none"> Sets the instrument number individually to each instrument when communicating by connecting plural instruments in serial communication. Available only when the C5 option is ordered. Setting range: 0 to 95 	0
<i>c n 4 P</i>	Communication speed <ul style="list-style-type: none"> Selects a communication speed equal to that of the host computer. Available only when the C5 option is ordered. Selection range: <ul style="list-style-type: none"> \square <i>24</i>: 2400 bps \square <i>48</i>: 4800 bps \square <i>96</i>: 9600 bps \square <i>192</i>: 19200 bps 	9600 bps
<i>c n P r</i>	Parity <ul style="list-style-type: none"> Selects the parity. Not available if the C5 option is not ordered or if Shinko protocol is selected in [Communication protocol]. Selection range: <ul style="list-style-type: none"> <i>n o n E</i>: No parity <i>E v E n</i>: Even parity <i>o d d</i> \square: Odd parity 	Even parity
<i>c n 4 r</i>	Stop bit <ul style="list-style-type: none"> Selects the stop bit. Not available if the C5 option is not ordered or if Shinko protocol is selected in [Communication protocol]. Setting range: <ul style="list-style-type: none"> \square <i>1</i>: 1 bit \square <i>2</i>: 2 bits 	1 bit

5.5 Setup mode

Sets input type, A1, A2 type, High/Low limit control, etc.

To enter Setup mode, press and hold the \wedge , \vee and \odot keys (in that order) together for 3 seconds in PV/SV Display Mode.

Use the \wedge or \vee key for settings (or selections).

To register the set data, use the \odot key.

Character	Name, Function, Setting range	Default value																																																												
4EN4	<p>Input type</p> <ul style="list-style-type: none"> The input type can be selected from thermocouple (10 types), RTD (2 types), DC current (2 types) and DC voltage (4 types), and the unit °C/°F can be selected as well. When changing the input from DC voltage to other inputs, remove the sensor connected to this controller first, then change the input. If the input is changed with the sensor connected, the input circuit may break. Selection range: <table border="0"> <tr> <td>t00C: K</td> <td>-200 to 1370°C</td> <td>t00F: K</td> <td>-320 to 2500°F</td> </tr> <tr> <td>t0.0C: K</td> <td>-199.9 to 400.0°C</td> <td>t0.0F: K</td> <td>-199.9 to 750.0°F</td> </tr> <tr> <td>J00C: J</td> <td>-200 to 1000°C</td> <td>J00F: J</td> <td>-320 to 1800°F</td> </tr> <tr> <td>r00C: R</td> <td>0 to 1760°C</td> <td>r00F: R</td> <td>0 to 3200°F</td> </tr> <tr> <td>400C: S</td> <td>0 to 1760°C</td> <td>400F: S</td> <td>0 to 3200°F</td> </tr> <tr> <td>b00C: B</td> <td>0 to 1820°C</td> <td>b00F: B</td> <td>0 to 3300°F</td> </tr> <tr> <td>E00C: E</td> <td>-200 to 800°C</td> <td>E00F: E</td> <td>-320 to 1500°F</td> </tr> <tr> <td>f0.0C: T</td> <td>-199.9 to 400.0°C</td> <td>f0.0F: T</td> <td>-199.9 to 750.0°F</td> </tr> <tr> <td>n00C: N</td> <td>-200 to 1300°C</td> <td>n00F: N</td> <td>-320 to 2300°F</td> </tr> <tr> <td>PL2C: PL-II</td> <td>0 to 1390°C</td> <td>PL2F: PL-II</td> <td>0 to 2500°F</td> </tr> <tr> <td>c00C: C(W/Re5-26)</td> <td>0 to 2315°C</td> <td>c00F: C(W/Re5-26)</td> <td>0 to 4200°F</td> </tr> <tr> <td>Pt1C: Pt100</td> <td>-199.9 to 850.0°C</td> <td>Pt1F: Pt100</td> <td>-199.9 to 999.9°F</td> </tr> <tr> <td>JPt1C: JPt100</td> <td>-199.9 to 500.0°C</td> <td>JPt1F: JPt100</td> <td>-199.9 to 900.0°F</td> </tr> <tr> <td>Pt0C: Pt100</td> <td>-200 to 850°C</td> <td>Pt0F: Pt100</td> <td>-300 to 1500°F</td> </tr> <tr> <td>JPt0C: JPt100</td> <td>-200 to 500°C</td> <td>JPt0F: JPt100</td> <td>-300 to 900°F</td> </tr> </table>	t00C : K	-200 to 1370°C	t00F : K	-320 to 2500°F	t0.0C : K	-199.9 to 400.0°C	t0.0F : K	-199.9 to 750.0°F	J00C : J	-200 to 1000°C	J00F : J	-320 to 1800°F	r00C : R	0 to 1760°C	r00F : R	0 to 3200°F	400C : S	0 to 1760°C	400F : S	0 to 3200°F	b00C : B	0 to 1820°C	b00F : B	0 to 3300°F	E00C : E	-200 to 800°C	E00F : E	-320 to 1500°F	f0.0C : T	-199.9 to 400.0°C	f0.0F : T	-199.9 to 750.0°F	n00C : N	-200 to 1300°C	n00F : N	-320 to 2300°F	PL2C : PL-II	0 to 1390°C	PL2F : PL-II	0 to 2500°F	c00C : C(W/Re5-26)	0 to 2315°C	c00F : C(W/Re5-26)	0 to 4200°F	Pt1C : Pt100	-199.9 to 850.0°C	Pt1F : Pt100	-199.9 to 999.9°F	JPt1C : JPt100	-199.9 to 500.0°C	JPt1F : JPt100	-199.9 to 900.0°F	Pt0C : Pt100	-200 to 850°C	Pt0F : Pt100	-300 to 1500°F	JPt0C : JPt100	-200 to 500°C	JPt0F : JPt100	-300 to 900°F	K (-200 to 1370°C)
t00C : K	-200 to 1370°C	t00F : K	-320 to 2500°F																																																											
t0.0C : K	-199.9 to 400.0°C	t0.0F : K	-199.9 to 750.0°F																																																											
J00C : J	-200 to 1000°C	J00F : J	-320 to 1800°F																																																											
r00C : R	0 to 1760°C	r00F : R	0 to 3200°F																																																											
400C : S	0 to 1760°C	400F : S	0 to 3200°F																																																											
b00C : B	0 to 1820°C	b00F : B	0 to 3300°F																																																											
E00C : E	-200 to 800°C	E00F : E	-320 to 1500°F																																																											
f0.0C : T	-199.9 to 400.0°C	f0.0F : T	-199.9 to 750.0°F																																																											
n00C : N	-200 to 1300°C	n00F : N	-320 to 2300°F																																																											
PL2C : PL-II	0 to 1390°C	PL2F : PL-II	0 to 2500°F																																																											
c00C : C(W/Re5-26)	0 to 2315°C	c00F : C(W/Re5-26)	0 to 4200°F																																																											
Pt1C : Pt100	-199.9 to 850.0°C	Pt1F : Pt100	-199.9 to 999.9°F																																																											
JPt1C : JPt100	-199.9 to 500.0°C	JPt1F : JPt100	-199.9 to 900.0°F																																																											
Pt0C : Pt100	-200 to 850°C	Pt0F : Pt100	-300 to 1500°F																																																											
JPt0C : JPt100	-200 to 500°C	JPt0F : JPt100	-300 to 900°F																																																											
4FLH	<p>Scaling high limit</p> <ul style="list-style-type: none"> Sets scaling high limit value. Setting range: Scaling low limit value to input range high limit value 	1370°C																																																												
4FLL	<p>Scaling low limit</p> <ul style="list-style-type: none"> Sets scaling low limit value. Setting range: Input range low limit value to scaling high limit value 	-200°C																																																												
dP00	<p>Decimal point place</p> <ul style="list-style-type: none"> Selects decimal point place. Available only for DC input Selection range: <p>0000: No decimal point 000.0: 1 digit after decimal point 0000.00: 2 digits after decimal point 0000.000: 3 digits after decimal point</p>	No decimal point																																																												
FILF	<p>PV filter time constant</p> <ul style="list-style-type: none"> Sets PV filter time constant. (If the value is set too large, it affects control result due to the delay of response) Setting range: 0.0 to 10.0 seconds 	0.0 sec.																																																												

Character	Name, Function, Setting range	Default value
<i>ALIF</i>	A1 type <ul style="list-style-type: none"> • Selects an action type for A1. • Selection range: <ul style="list-style-type: none"> ---- : No alarm action <i>H00</i> : High limit alarm <i>L00</i> : Low limit alarm <i>HL0</i> : High/Low limits alarm <i>Li d0</i> : High/Low limit range alarm <i>PH0</i> : Process high alarm <i>rPH0</i> : Process low alarm <i>H00L</i> : High limit alarm with standby <i>L00L</i> : Low limit alarm with standby <i>HL0L</i> : High/Low limits alarm with standby 	No alarm action
<i>AL2F</i>	A2 type <ul style="list-style-type: none"> • Selects an action type for A2. • Available only when EV2 option is ordered • Selection range and default value are the same as those of A1 type. 	No alarm action
<i>A1Lā</i>	A1 action Energized/De-energized <ul style="list-style-type: none"> • Selects Energized/De-energized for A1. • Not available if No alarm action is selected in [A1 type] • Selection range: <ul style="list-style-type: none"> <i>noāL</i> : Energized <i>rEāL</i> : De-energized 	Energized
<i>A2Lā</i>	A2 action Energized/De-energized <ul style="list-style-type: none"> • Selects Energized/De-energized for A2. • Not available if EV2 option is not ordered or if No alarm action is selected in [A2 type] • Selection range and default value are the same as those of A1 action Energized/De-energized. 	Energized
<i>A1HY</i>	A1 hysteresis <ul style="list-style-type: none"> • Sets hysteresis for A1. • Not available if No alarm action is selected in [A1 type] • Setting range: 0.1 to 100.0°C (°F), or 1 to 1000 	1.0°C
<i>A2HY</i>	A2 hysteresis <ul style="list-style-type: none"> • Sets hysteresis for A2. • Not available if EV2 option is not ordered or if No alarm action is selected in [A2 type] • Setting range: 0.1 to 100.0°C (°F), or 1 to 1000 	1.0°C
<i>A1dY</i>	A1 action delay time <ul style="list-style-type: none"> • Sets action delay time for A1. When setting time has elapsed after the input enters the alarm output range, the alarm is activated. • Not available if No alarm action is selected in [A1 type] • Setting range: 0 to 9999 seconds 	0 sec.
<i>A2dY</i>	A2 action delay time <ul style="list-style-type: none"> • Sets action delay time for A2. When setting time has elapsed after the input enters the alarm output range, the alarm is activated. • Not available if EV2 option is not ordered or if No alarm action is selected in [A2 type] • Setting range: 0 to 9999 seconds 	0 sec.
<i>HiLo</i>	High/Low limit control <ul style="list-style-type: none"> • Selects either High limit or Low limit control action. • Selection range: <ul style="list-style-type: none"> <i>HiLā</i> : High limit control <i>LoLā</i> : Low limit control 	High limit control
<i>HY4</i>	OUT1 ON/OFF action hysteresis <ul style="list-style-type: none"> • Sets OUT1 (Limit control output) ON/OFF action hysteresis. • Setting range: 0.1 to 100.0°C (°F), or 1 to 1000 	1.0°C

Character	Name, Function, Setting range	Default value
4rAr	Auto/Manual start <ul style="list-style-type: none"> Selects either auto or manual start of the limit control action. (Refer to Section 7.3) Selection range: rAr: Auto start rArU: Manual start 	Auto start
n_4	EXCEEDED indicator lighting duration time unit <ul style="list-style-type: none"> Selects unit of "EXCEEDED indicator lighting duration time". Selection range: n/n: Hour.Minute 4Ec: Minute.Second 	Hour.Minute

Sensor correction function

This corrects the input value from the sensor. When a sensor cannot be set at the exact location where control is desired, the sensor-measured temperature may deviate from the temperature in the controlled location. When using multiple controllers, sometimes the measured temperatures do not concur due to differences in sensor accuracy or dispersion of load capacities. In such a case, the control can be set at the desired temperature by adjusting the input value of sensors.

Energized/De-energized

When A1/A2 Energized is selected, the A1/A2 output (terminals 3-4, or 5-6) is conducted (ON) while the A1/A2 indicator is lit.

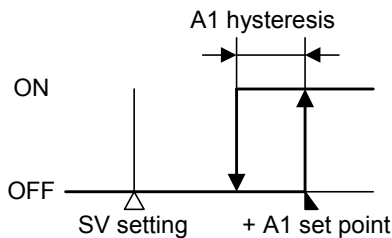
The A1/A2 output is not conducted (OFF) while the A1/A2 output indicator is not lit.

When A1/A2 De-energized is selected, the A1/A2 output (terminals 3-4, or 5-6) is not conducted (OFF) while the A1/A2 indicator is lit.

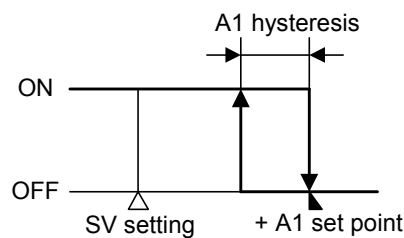
The A1/A2 output is conducted (ON) while the A1/A2 indicator is not lit.

High limit alarm (when Energized is set)

High limit alarm (when De-energized is set)



(Fig. 5.5-1)



(Fig. 5.5-2)

6. Running

After the unit is mounted to the control panel and wiring is completed, operate the unit following the procedure below.

(1) Switch power supply to the BCS2 ON.

Switch power supply to the BCS2 ON.

- For approx. 3sec after the power is switched ON, the sensor input characters and the temperature unit are indicated in the PV Display and input range high limit value is indicated in the SV Display. See (Table 5-1). (If any other value has been set in [Scaling high limit], the value is indicated in the SV Display.) During this time, all outputs and LED indicators are in OFF status.
- After that, limit control starts, indicating PV (process variable) in the PV Display, and SV (desired value) in the SV Display.

(2) Input each set value.

Input each set value, referring to "5. Settings".

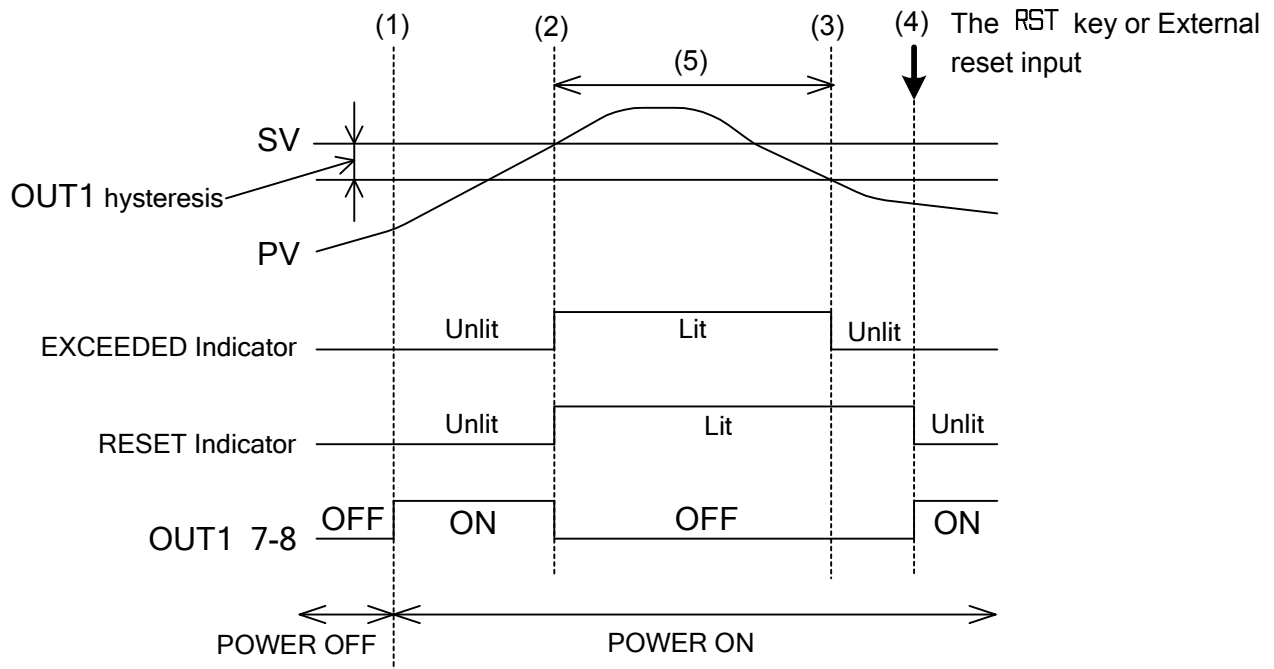
(3) Turn the load circuit power ON.

Limit control action starts.

7. Action explanation

7.1 High limit control action (Fig. 7.1-1)

Auto start will be used for purposes of explanation of the High limit control action. (Refer to Section 7.3)

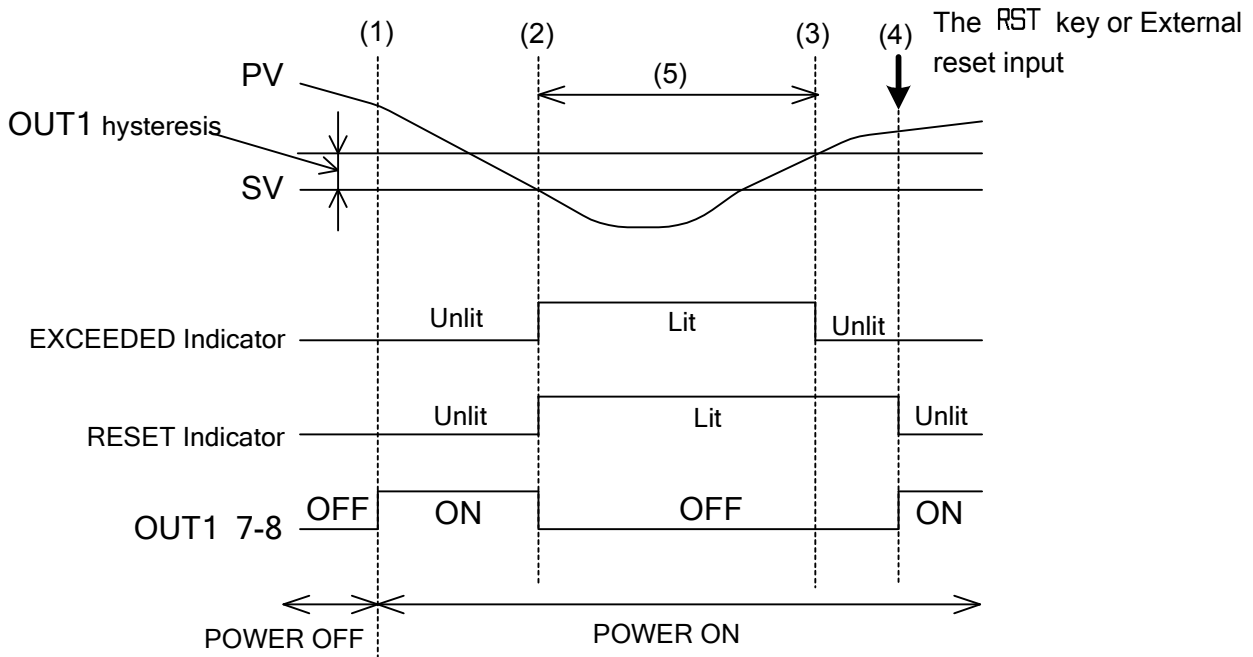


(Fig. 7.1-1)

- (1) Limit control action will initiate after power supply to the controller is turned on.
- (2) If PV exceeds SV, the EXCEEDED and RESET indicators light, and OUT1 (Limit control output terminals 7 and 8) is turned OFF.
- (3) If PV drops below [SV-OUT1 hysteresis], the EXCEEDED indicator goes off. At this time, the RESET indicator is lit, and OUT1 (Limit control output terminals 7 and 8) is in OFF status.
- (4) If the RST key is pressed, or if External reset input terminals 17 and 18 are shorted, the RESET indicator goes off, OUT1 (Limit control output terminals 7 and 8) is turned ON, and limit control action initiates again.
- (5) While the EXCEEDED indicator is lit, even if the RST key is pressed or if External reset input terminals 17 and 18 are shorted, limit control action does not initiate.

7.2 Low limit control action (Fig. 7.2-1)

Auto start will be used for purposes of explanation of the Low limit control action. (Refer to Section 7.3)



(Fig. 7.2-1)

- (1) Limit control action will initiate after power supply to the controller is turned on.
- (2) If PV drops below SV, the EXCEEDED and RESET indicators light, and OUT1 (Limit control output terminals 7 and 8) is turned OFF.
- (3) If PV exceeds [SV+OUT1 hysteresis], the EXCEEDED indicator goes off.
At this time, the RESET indicator is lit, and OUT1 (Limit control output terminals 7 and 8) is in OFF status.
- (4) If the RST key is pressed, or if External reset input terminals 17 and 18 are shorted, the RESET indicator goes off, OUT1 (Limit control output terminals 7 and 8) is turned ON, and limit control action initiates again.
- (5) While the EXCEEDED indicator is lit, even if the RST key is pressed, or even if External reset input terminals 17 and 18 are shorted, limit control action does not initiate.

7.3 Auto/Manual limit control

Auto limit control

When the power supply is turned on, or after the power is restored, the AUTO indicator lights, and limit control starts automatically even if the RST key is not pressed, or even if external reset input is not shorted.

For High limit control, when PV exceeds SV-Hysteresis, the limit control action does not initiate.

For Low limit control, when PV drops below SV+Hysteresis, the limit control action does not initiate.

Limit control action does not initiate while the EXCEEDED indicator is lit.

Manual limit control

In the following cases, the RESET indicator lights, and it is necessary to reset the unit manually.

(Press the RST key, or short the external reset input terminals.)

- When power is turned on
- When power is restored
- For High limit control, when PV drops below the SV-Hysteresis after PV exceeded SV.
For Low limit control, when PV exceeds the SV+Hysteresis after PV dropped below SV.

However, the limit control action does not initiate as follows (Same as Auto limit control).

For High limit control, when PV exceeds SV-Hysteresis, the limit control action does not initiate.

For Low limit control, when PV drops below SV+Hysteresis, the limit control action does not initiate.

Limit control action does not initiate while the EXCEEDED indicator is lit.

7.4 A1, A2 action

	High limit alarm	Low limit alarm	High/Low limits alarm
A1 action			
A1 output			
	High/Low limit range alarm	Process high alarm	Process low alarm
A1 action			
A1 output			
	High limit alarm with standby	Low limit alarm with standby	High/Low limits alarm with standby
A1 action			
A1 output			

- : A1 output terminals 3, 4 (A2 output terminals 5, 6): ON (closed).
- : A1 output terminals 3, 4 (A2 output terminals 5, 6): ON (closed) or OFF (open)
- : A1 output terminals 3, 4 (A2 output terminals 5, 6): OFF (open)
- : Alarm output is in standby.

- For A2, read A2 for A1.
- A1 indicator lights when A1 output terminals 3 and 4 are ON, and goes off when their output terminals 3 and 4 are OFF.
- A2 indicator lights when A2 output terminals 5 and 6 are ON, and goes off when their output terminals 5 and 6 are OFF.

8. Specifications

8.1 Standard specifications

Mounting: Flush
Setting: Input system using membrane sheet key
Display: PV Display: Red LED 4 digits, character size 12.4 x 5.8 mm (H x W)
SV Display: Green LED 4 digits, character size 8.8 x 3.9 mm (H x W)

Accuracy (Setting and Indication):

Thermocouple: Within $\pm 0.2\%$ of each input span ± 1 digit, or within $\pm 2^{\circ}\text{C}$ (4°F), whichever is greater
However R, S inputs, 0 to 200°C (32 to 392°F): Within $\pm 6^{\circ}\text{C}$ (12°F)
B input, 0 to 300°C (0 to 572°F): Accuracy is not guaranteed.
K, J, E, T, N inputs, less than 0°C (32°F): Within $\pm 0.4\%$ of input span ± 1 digit
RTD: Within $\pm 0.1\%$ of each input span ± 1 digit, or within $\pm 1^{\circ}\text{C}$ (2°F), whichever is greater
Direct current: Within $\pm 0.2\%$ of each input span ± 1 digit
DC voltage: Within $\pm 0.2\%$ of each input span ± 1 digit

Input sampling period: 0.25 seconds

Input: Thermocouple: K, J, R, S, B, E, T, N, PL-II, C(W/Re5-26) External resistance: $100\ \Omega$ or less (However, B input: External resistance: $40\ \Omega$ or less)
RTD: Pt100, JPt100, 3-wire type
Allowable input lead wire resistance ($10\ \Omega$ or less per wire)
Direct current: 0 to 20 mA DC, 4 to 20 mA DC
Input impedance ($50\ \Omega$)
Built-in shunt resistor ($50\ \Omega$)
Allowable input current, 50 mA or less
DC voltage: 0 to 1 V DC
Input impedance ($1\ \text{M}\Omega$ or more)
Allowable input voltage (5 V or less)
Allowable signal source resistance ($2\ \text{k}\Omega$ or less)
0 to 5 V DC, 1 to 5 V DC, 0 to 10 V DC
Input impedance ($100\ \text{k}\Omega$ or more)
Allowable input voltage (15V or less)
Allowable signal source resistance ($100\ \Omega$ or less)

OUT1 (Limit control output)

Relay contact: 1a, Control capacity 3A 250 V AC (resistive load)
1A 250 V AC (inductive load $\cos\phi=0.4$)
Electrical life: 100,000 cycles
Minimum applicable load: 10 mA 5 V DC

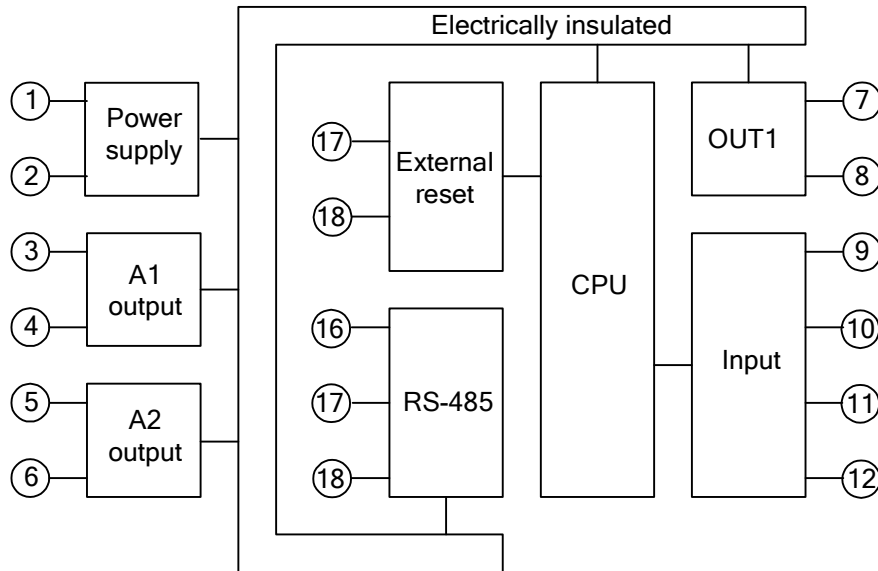
A1 output

Action: ON/OFF action
Hysteresis: 0.1 to 100.0°C ($^{\circ}\text{F}$), or 1 to 1000 (DC input) (Default: 1.0°C)
Output: Relay contact 1a
Control capacity, 3 A 250 V AC (resistive load)
1 A 250 V AC (inductive load $\cos\phi=0.4$)
Electrical life: 100,000 cycles
Minimum applicable load: 10 mA 5 V DC

Control action

High limit control action, Low limit control action
OUT1 (Limit control output) hysteresis: 0.1 to 100.0°C ($^{\circ}\text{F}$), or 1 to 1000 (DC input)

Circuit insulation configuration



Insulation resistance: 10 M Ω or more, at 500 V DC

Dielectric strength: 1.5 kV AC for 1 minute between input terminal and power terminal
1.5 kV AC for 1 minute between output terminal and power terminal

Supply voltage: 100 to 240V AC 50/60Hz, 24V AC/DC 50/60 Hz

Allowable voltage fluctuation: 100 to 240 V AC: 85 to 264 V AC,
24 V AC/DC: 20 to 28 V AC/DC

Power consumption:

100 to 240 V AC: Approx. 8 VA max.

(When the maximum number of options are ordered: Approx. 11 VA max.)

24 V AC: Approx. 5 VA max. (When the maximum number of options are ordered: Approx. 8 VA max.)

24 V DC: Approx. 5 W max. (When the maximum number of options are ordered: Approx. 8 W max.)

Ambient temperature: -10 to 55°C (14 to 131°F) (Non-condensing, No icing)

Ambient humidity: 35 to 85 %RH (Non-condensing)

Weight: Approx. 110 g

External dimensions: 48 x 48 x 68 mm (W x H x D) (Depth of control panel interior: 60 mm)

Material: Flame-resistant resin (Case)

Color: Black (Case)

Attached functions:

[Set value lock]

[Sensor correction]

[Auto/Manual start]

[Input error indication]

Thermocouple, RTD input:

If measured value exceeds Indication range high limit value, the PV Display flashes “- - - -”.

If measured value drops below Indication range low limit value, the PV Display flashes “_ _ _ _”.

If measured value goes out of the Control range, OUT1 (Limit control output) is turned OFF.

Input	Input range	Indication range	Control range
K, T	-199.9 to 400.0°C	-199.9 to 450.0°C	-205.0 to 450.0°C
	-199.9 to 750.0°F	-199.9 to 850.0°F	-209.0 to 850.0°F
Pt100	-199.9 to 850.0°C	-199.9 to 900.0°C	-210.0 to 900.0°C
	-200 to 850°C	-210 to 900°C	-210 to 900°C
	-199.9 to 999.9°F	-199.9 to 999.9°F	-211.0 to 1099.9°F
	-300 to 1500°F	-318 to 1600°F	-318 to 1600°F
JPt100	-199.9 to 500.0°C	-199.9 to 550.0°C	-206.0 to 550.0°C
	-200 to 500°C	-207 to 550°C	-207 to 550°C
	-199.9 to 900.0°F	-199.9 to 999.9°F	-211.0 to 999.9°F
	-300 to 900°F	-312 to 1000°F	-312 to 1000°F

Indication range and Control range for thermocouple inputs other than the above:

Input range low limit value -50°C (100°F) to Input range high limit value +50°C (100°F)

Contents and Indication	Output status
	(7)-(8)
Measured value has exceeded Indication range high limit value. “- - - -” flashes.	Open
Measured value has dropped below Indication range low limit value. “_ _ _ _” flashes.	Open

DC input:

Indication range: [Scaling low limit value–Scaling span x 1%] to [Scaling high limit value +Scaling span x 10%]

However, “- - - -” or “_ _ _ _” flashes when a range of -1999 to 9999 is exceeded.

Control range: [Scaling low limit value–Scaling span x 1%] to [Scaling high limit value +Scaling span x 10%]

DC input disconnection:

When DC input is disconnected, the PV Display flashes “_ _ _ _” for 4 to 20 mA

DC and 1 to 5 V DC inputs, and “- - - -” for 0 to 1 V DC input. For 0 to 20 mA DC, 0 to 5 V DC and 0 to 10 V DC inputs, the PV Display indicates the value corresponding with 0 mA or 0 V input.

[Burnout]

When the thermocouple or RTD input is burnt out, OUT1 (Limit control output) is turned off, the PV becomes its maximum value and the PV Display flashes “- - - -”.

[Self-diagnosis]

The CPU is monitored by a watchdog timer, and if an abnormal status is found on the CPU, the controller is switched to warm-up status.

[Automatic cold junction temperature compensation] (Only thermocouple input type)

This detects the temperature at the connecting terminal between the thermocouple and the instrument, and always maintains at the same status as if the reference junction location temperature was at 0°C (32°F).

[Power failure countermeasure]

The setting data is backed up in the non-volatile IC memory.

[Warm-up indication]

After the power supply to the instrument is turned on, the PV Display indicates an input type, and SV Display indicates input range high limit value (for thermocouple, RTD inputs) or scaling high limit value (for Direct current and voltage inputs) for approximately 3 seconds, and control output is turned OFF.

[Peak (or Bottom) value hold function]

While the EXCEEDED indicator is lit, the peak value is maintained during high limit action, or Bottom (the lowest) value is maintained during low limit action.

Present measured value will be initialized after reset using the RST key or the external reset input function.

[EXCEEDED indicator lighting duration time]

EXCEEDED indicator lighting time can be measured and indicated by pressing the Mode (Ⓢ) key in the PV/SV Display Mode.

Measurement range: 0:00 to 99:59 (Hour:Minute, Minute:Second)

Lighting time will be initialized to 0:00 after reset using the RST key or the external reset input function.

Accessories included: Mounting frame: 1 piece
Instruction manual: 1 copy

Accessories sold separately: Terminal cover

8.2 Optional specifications

A2 output (EV2 option)

Action: ON/OFF action
Hysteresis: 0.1 to 100.0°C (°F), or 1 to 1000 (DC input) (Default: 1.0°C)
Output: Relay contact 1a
Control capacity, 3A 250V AC (Resistive load)
1A 250V AC (inductive load $\cos\phi=0.4$)
Electrical life: 100,000 cycles
Minimum applicable load: 10 mA 5 V DC

Serial communication (C5 option)

When this option is ordered, the [EI] option cannot be ordered.

The following operations can be carried out from an external computer.

- (1) Reading and setting of the SV and each value
- (2) Reading of the PV and action status
- (3) Change of the functions

Cable length: Maximum communication distance: 1.2 km
Cable resistance: Within 50 Ω (Terminators are not necessary, but if used, use 120 Ω or more on both sides.)

Communication interface: EIA RS-485

Communication method: Half-duplex communication start-stop synchronization

Communication speed: 2400, 4800, 9600, 19200 bps (Selectable by keypad)

Parity: Even, Odd and No parity (Selectable by keypad)

Stop bit: 1 and 2 (Selectable by keypad)

Communication protocol: Shinko protocol, Modbus ASCII, Modbus RTU (Selectable by keypad)

Data format:

Communication protocol	Shinko protocol	Modbus ASCII	Modbus RTU
Start bit	1	1	1
Data bit	7	7	8
Parity	Even	Selectable (Even)	Selectable (No parity)
Stop bit	1	Selectable (1)	Selectable (1)

Data bit is automatically selected upon selecting the communication protocol. (): Basic set value

Number of units connectable: Maximum 31 units to 1 host computer

Communication error detection: Double detection by parity and checksum

External reset input (EI option)

If this option is ordered, the [C5] option cannot be ordered.

By connecting External reset input terminals 17 and 18, the RESET indicator goes off, OUT1 (Limit control output terminals 7 and 8) is turned ON, and limit control action initiates.

However, while the EXCEEDED indicator is lit, limit control action does not initiate even though External reset input terminals 17 and 18 are shorted.

Contact 17-18 Open: Reset OFF

Contact 17-18 Closed: Reset ON

Circuit current when closed: 16 mA

9. Troubleshooting



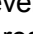
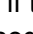
If any malfunctions occur, refer to the following items after checking the power supply to the controller.

9.1 Indication

Problem	Presumed cause and solution
“ \overline{E} ” is indicated in the PV Display.	<ul style="list-style-type: none"> The controller is in the EXCEEDED indicator lighting duration time mode. Press the \odot key twice to revert to the PV/SV Display Mode.
“Hi $\square\square$ ” or “Lo $\square\square$ ” is indicated in the PV Display.	<ul style="list-style-type: none"> Maximum (Minimum) value is indicated. Press the \odot key once to revert to the PV/SV Display Mode.
“- - - -” is flashing in the PV Display.	<ul style="list-style-type: none"> Burnout of thermocouple, RTD or disconnection of DC voltage (0 to 1V DC) Replace each sensor. How to check whether the sensor is burnt out [Thermocouple] If the input terminals of the instrument are shorted, and if a value around room temperature is indicated, the instrument is likely to be operating normally, however, the sensor may be burnt out. [RTD] If approx. 100 Ω of resistance is connected to the input terminals between A-B of the instrument and between B-B is shorted, and if approximate 0°C (32°F) is indicated, the instrument is likely to be operating normally, however, the sensor may be burnt out. [DC voltage (0 to 1 V DC)] If the input terminals of the instrument are shorted, and if a scaling low limit value is indicated, the instrument is likely to be operating normally, however, the signal wire may be disconnected. Check whether the input terminals of thermocouple, RTD or DC voltage (0 to 1 V DC) are securely mounted to the instrument input terminal. Connect the sensor terminals to the instrument input terminals securely.
“- - - -” is flashing in the PV Display.	<ul style="list-style-type: none"> Check whether input signal source for DC voltage (1 to 5 V DC) or Direct current (4 to 20 mA DC) is disconnected. How to check whether the input signal wire is disconnected [DC voltage (1 to 5 V DC)] If the input to the input terminals of the instrument is 1 V DC and if a scaling low limit value is indicated, the instrument is likely to be operating normally, however, the signal wire may be disconnected. [Direct current (4 to 20 mA DC)] If the input to the input terminals of the instrument is 4 mA DC and if a scaling low limit value is indicated, the instrument is likely to be operating normally, however, the signal wire may be disconnected. Check whether input signal wire for DC voltage (1 to 5 V DC) or Direct current (4 to 20 mA DC) is securely connected to the instrument input terminals. Check if polarity of thermocouple or compensating lead wire is correct. Check whether codes (A, B, B) of RTD agree with the instrument terminals.
The indication of PV Display is abnormal or unstable.	<ul style="list-style-type: none"> Check whether sensor input or temperature unit (°C or °F) is correct. Select the sensor input and temperature unit (°C or °F) properly. Sensor correcting value is not suitable. Set it to a suitable value. Check whether the specification of the sensor is correct. AC leaks into the sensor circuit. Use an ungrounded type sensor. There may be equipment that interferes with or makes noise near the controller. Keep equipment that interferes with or makes noise away from the controller.

Problem	Presumed cause and solution
The PV Display keeps indicating the value which was set in [Scaling low limit].	<ul style="list-style-type: none"> Check whether the input signal source for DC voltage (0 to 5 V DC, 0 to 10 V DC) and Direct current (0 to 20 mA DC) is disconnected. <p>How to check whether the input signal wire is disconnected [DC voltage (0 to 5 V DC, 0 to 10 V DC)] If the input to the input terminals of the instrument is 1 V DC and if a value corresponding to 1 V DC is indicated, the instrument is likely to be operating normally, however, the signal wire may be disconnected.</p> <p>[Direct current (0 to 20 mA DC)] If the input to the input terminals of the instrument is 1 mA DC and if a value corresponding to 1 mA DC is indicated, the instrument is likely to be operating normally, however, the signal wire may be disconnected.</p> <ul style="list-style-type: none"> Check whether the input lead wire terminals for DC voltage (0 to 5 V DC, 0 to 10 V DC) or Direct current (0 to 20 mA DC) are securely mounted to the instrument input terminals.
The PV Display is indicating "Err 1".	<ul style="list-style-type: none"> Internal memory is defective. Contact our agency or us.

9.2 Key operation

Problem	Presumed cause and solution
<ul style="list-style-type: none"> Unable to set the SV, A1 value, etc. The values do not change by ,  keys. 	<ul style="list-style-type: none"> Set value lock (Lock 1 or Lock 2) is selected. Release the lock.
The setting indication does not change within the input range even if the  ,  keys are pressed, and new values are unable to be set value.	<ul style="list-style-type: none"> Scaling high or low limit value in Setup mode may be set at the point where the value does not change. Set it to a suitable value while in Setup mode.

9.3 Control

Problem	Presumed cause and solution
Temperature does not rise.	<ul style="list-style-type: none"> Sensor is out of order. Replace the sensor. Check whether the Sensor or control output terminals are securely mounted to the instrument input terminals. Ensure that the sensor or control output terminals are mounted to the instrument input terminals securely. Check whether the wiring of sensor or control output terminals is correct.

- If you have any inquiries, please consult our agency or the shop where you purchased the unit.

SHINKO TECHNOS CO., LTD.

OVERSEAS DIVISION

Head Office : 2-5-1, Senbahigashi, Minoo, Osaka, Japan

URL: <http://www.shinko-technos.co.jp>

E-mail: overseas@shinko-technos.co.jp

Tel : +81-72-727-6100

Fax: +81-72-727-7006