

Photo-Radiometer

2006/25/EC Dosimeter

HD2402

○ FULLY COMPLIANT WITH THE REGULATIONS

Integral calculation of **allowable limit values** according to 2006/25/EC

○ COVERING THE COMPLETE MEASUREMENT RANGE

Multiple sensors to cover different spectral bands
UV - NIR - UVA - LUX - BLUE - NIR/FIR

○ PORTABLE - EASY TO SET UP - COMPLETE

Complete integral solution to measure according to the European regulations.

No additional cost for software licences or yearly fee

○ CONFIGURABLE TO YOUR NEEDS

Set up the device exactly **configured to your needs**, start it. Download all data and have all calculated outcomes directly available

Protect your workers from the risks associated with optical radiation!

Industrial processes such as welding, glass factories, paint drying ovens, smelters; medical equipments such as laser, neonatal phototherapy lamps, sterilization, surgical lights, as well as lamps, display screen or scanners in work environments. All these are considered sources of artificial optical radiation also known as AOR. AOR have a wavelength between 100 nm and 1 mm and include the field of **visible optical radiation**, as well as **ultraviolet radiation** (UVA, UVB and UVC) and **infrared radiation** (IR).

According to the **European Regulations**, the exposure of workers to the risks arising from these light sources need to be strictly measured and controlled. **HD2402** is the instrument that allows the employer to assess and to measure and to calculate the levels of exposure to artificial optical radiation.

Easy to use, the **HD2402** is a portable photo-radiometer data logger equipped with a series of **sensors to cover different spectral portions** and a small laser suitable to indicate the analyzed source.

DeltaOHM

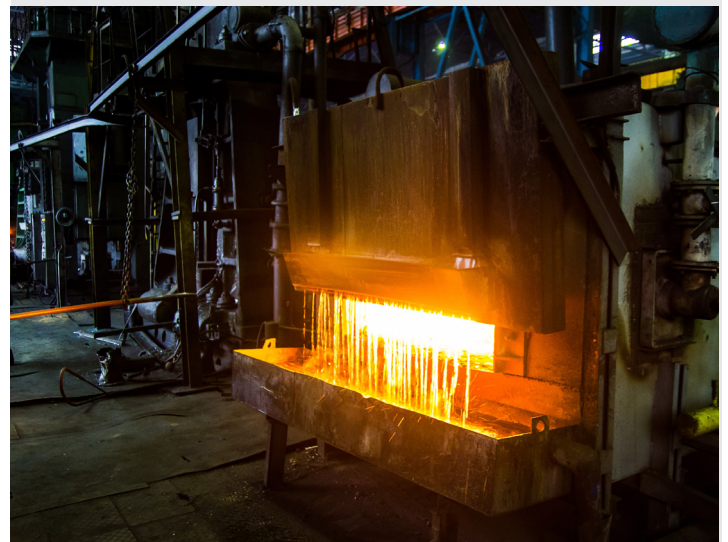
Member of GHM GROUP



Main Application

Workers Protection from Artificial Optical Radiation (AOR) sources

Industrial processes
Medical UV applications
Steel factories



Technical Specification

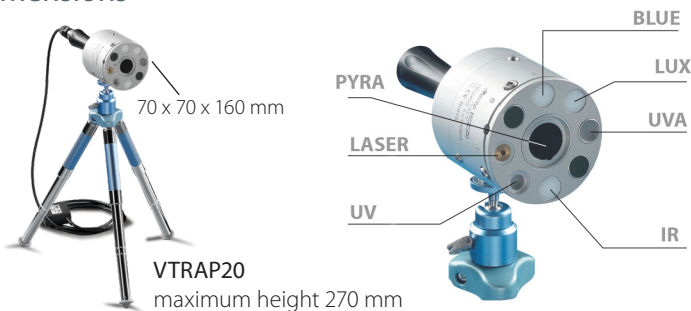
Measurement ranges

ILLUMINANCE spectral range 380 ÷ 780 nm	0 ÷ 399.9 lux 0 ÷ 3.999 · 10 ³ lux 0 ÷ 39.99 · 10 ³ lux 0 ÷ 399.9 · 10 ³ lux
IRRADIANCE UV spectral range 220 ÷ 400 nm with spectral weighting factor S (λ)	0 ÷ 39.99 · 10 ⁻³ W/m ² 0 ÷ 399.9 · 10 ⁻³ W/m ² 0 ÷ 3.999 W/m ² 0 ÷ 39.99 W/m ²
ULTRAVIOLET IRRADIANCE spectral range UVA 315 ÷ 400 nm	0 ÷ 3.999 W/m ² 0 ÷ 39.99 W/m ² 0 ÷ 399.9 W/m ² 0 ÷ 3.999 · 10 ³ W/m ²
IRRADIANCE BLUE spectral range 400 ÷ 700 nm with spectral weighting factor B (λ)	0 ÷ 399.9 · 10 ⁻³ W/m ² 0 ÷ 3.999 W/m ² 0 ÷ 39.99 W/m ² 0 ÷ 399.9 W/m ²
INFRARED IRRADIANCE spectral range 700 ÷ 1300 nm with spectral weighting factor R (λ)	0 ÷ 3.999 W/m ² 0 ÷ 39.99 W/m ² 0 ÷ 399.9 W/m ² 0 ÷ 3.999 · 10 ³ W/m ²
INFRARED IRRADIANCE spectral range 400 ÷ 2800 nm	0 ÷ 3.999 · 10 ³ W/m ²

General Specifications

Power supply	5 Vdc/1A (SWD05 power adapter)
Safety of stored data	unlimited
Serial interface	output for connection to PC USB input (CP24H)
Memory capacity	96000 stored data = about 26 hours of continuous acquisition
Storage interval	fixed at 1 second
Operating conditions	-5 °C ...+50 °C 0...85% RH non condensing
Weight	500 g
Materials	aluminium alloy rubber protection sleeve

Dimensions



DeltaLog13 software

After the software startup, the PC monitor shows all measurements in real time.

Through the **DeltaLog13** software downloadable from the Delta OHM website, you can **configure** your HD2402 (calendar, date, time, start time and logging time), **set** that the proper measurement ranges and **perform** your measurement campaign.

The exposure limit values for each risk index are available in a final report table.

Colored boxes in the 'assessment' column ease the reading of the risk index states: a safe situation is indicated by a **green box** while **yellow** and **red boxes** indicate dangerous or risky situations.

Ordering Codes

HD2024 Multi-sensor instrument, datalogger for the measurement of noncoherent optical radiations. It includes: **CH20-ROA** hardware key for software enabling, **CP24H** connection cable, **SWD05** power supply unit, **VTRAP20** tripod, **DeltaLog13 software** downloadable from Delta OHM website, carrying case and compliance report.

Accessories

VCERT-L2402 Single calibration report for all the sensors. One point only for each sensor.

VACCREDIA-L9 ISO 17025 certificate for LUX and UVA measurements and single calibration report for the remaining sensors. LUX accredited range 50÷4000 lux; UVA accredited range 10÷45 W/m².

Delta OHM

Member of GHM GROUP

In order to ensure the quality of our instruments, we may have to develop our products. We may make changes or corrections at any time. Check on our website to make sure your documentation is up to date.

We look forward to your enquiry:

Phone +39 049 89 77 150

Email: sales@deltaohm.com

Delta OHM S.r.l.

Single Member Company subject to direction and coordination of

GHM MESSTECHNIK GmbH

Via Marconi 5 | 35030 Caselle di Selvazzano (PD) | ITALY

Rev.1.1
05.20