

MU Digital



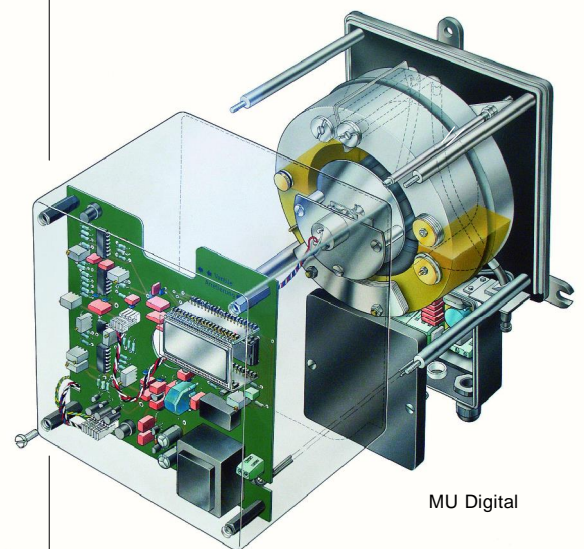
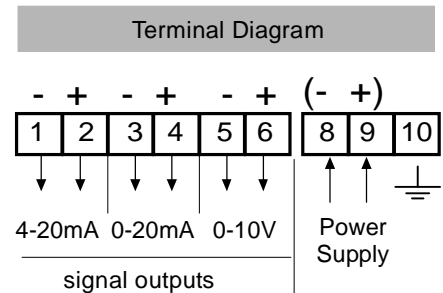
Ringbalance Differential Pressure Transmitter
converts draft, pressure and differential pressure
into standard signals of 0-20mA, 4-20mA and 0-10V

Display	LCD, 3 1/2 digit, 12.5 mm high
Measuring System	Ringbalance principle
Measuring Pickup	Magnetic "Hall" sensor
Measuring Ranges	from 0...40 Pa to 0...1.8 kPa (0.15"W.C.-7"W.C.) - see next page -
Units	Pa, kPa, daPa, mbar, mmWS, mmCE, in.W.C.
Ambient Temp.	0 . . . +50 °C (32 - 122 °F)
Accuracy	max. error +/-1.5% of span, or +/-1.5 Pa
Housing	for wall mounting IP42; Polycarbonate lightgrey; - see next page -
Process Connect.	2 fittings for flexible tubes, 8mm outside diameter
Electr. Connections	screw terminals in the terminal box 2 cable fittings PG9 with strain relief
Electrical Outputs	0-20 mA, 4-20 mA and 0-10 V;
Max. Loads	680 Ohm (mA-outputs); respectively: min. 2kOhm (V - output)
Power Supply	230 VAC; or 24/110/120/240/24 VAC; 24 V DC (at additional price)
EMV / CE	Electromagnetic Compatibility according to EN50081-2 (Emmission) and EN50082-2 (Immunity)
Type	MU Digital

Order specifications:

1. Type: MU Digital
2. Measuring range
3. Power supply

Factory Calibration Certificate included



Measuring Ranges, Filling Fluids Overload Limits

Measuring Ranges

(examples)

Pressure, draft, differential pressure:

0.....40 Pa
 0.....50 Pa
 0.....60 Pa
 0.....80 Pa
 0.....100 Pa
 0.....150 Pa
 0.....200 Pa
 0.....250 Pa
 0.....300 Pa
 0.....500 Pa
 0.....600 Pa
 0.....700 Pa
 0.....800 Pa
 0.....1.000 Pa
 0.....1.200 Pa
 0.....1.500 Pa
 0.....1.800 Pa

Pressure / draft ranges:

-200+20 Pa
 -250+25 Pa
 -500+50 Pa
 -100.....0 ...+100 Pa
 -250.....0 ...+250 Pa
 -500.....0 ...+500 Pa

-100+40 Pa
 -400+10 Pa
 -300+10 Pa
 -100+30 Pa
 -200+80 Pa
 -800+20 Pa

Further units available (no extra charge):

mbar,
 mmWS,
 mmW.C.
 in.W.C.
 mmCE

Filling Fluids

Note: All Ringbalance instruments are factory-filled. The type of oil need not be mentioned in the order.

"Mineral Oil" density 0,8 kg/l;
 for ranges up to +/-700 Pa
 max. overload: +/-900 Pa

"Synthetic Oil" density 1,9 kg/l;
 for ranges over +/-700 Pa
 max. overload +/-2,1 kPa

Overload Protection

Every Ringbalance is inherently protected to at least +/-900 Pa (3.5"W.C.), even it has, for example, a measuring range of only 0-40 Pa (0.15"W.C.).

With the synthetic oil filling fluid, the Ringbalance is inherently protected to +/-2.1 kPa (8"W.C.).

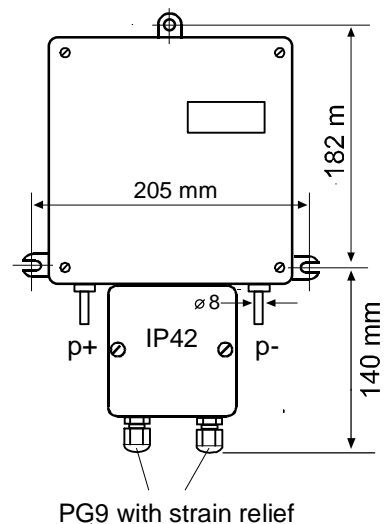
If those limits (900 Pa / 2.1 kPa) are expected to be exceeded in the specific application, the Overload Protection Device "DZ" is available as an option on all Ringbalances.

Housing

for wall mounting, IP42, glass reinforced polycarbonate, light grey

Depth of housing: 170 mm

Two fittings for flexible tubes, 8mm outer diameter



Rixen GmbH & Co KG
 Kornweg 1

D-44805 Bochum

Phone: +49 (0)234 86790

Fax: +49 (0)234 850130

eMail: rixen@online.de